

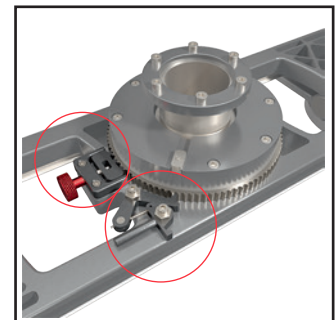
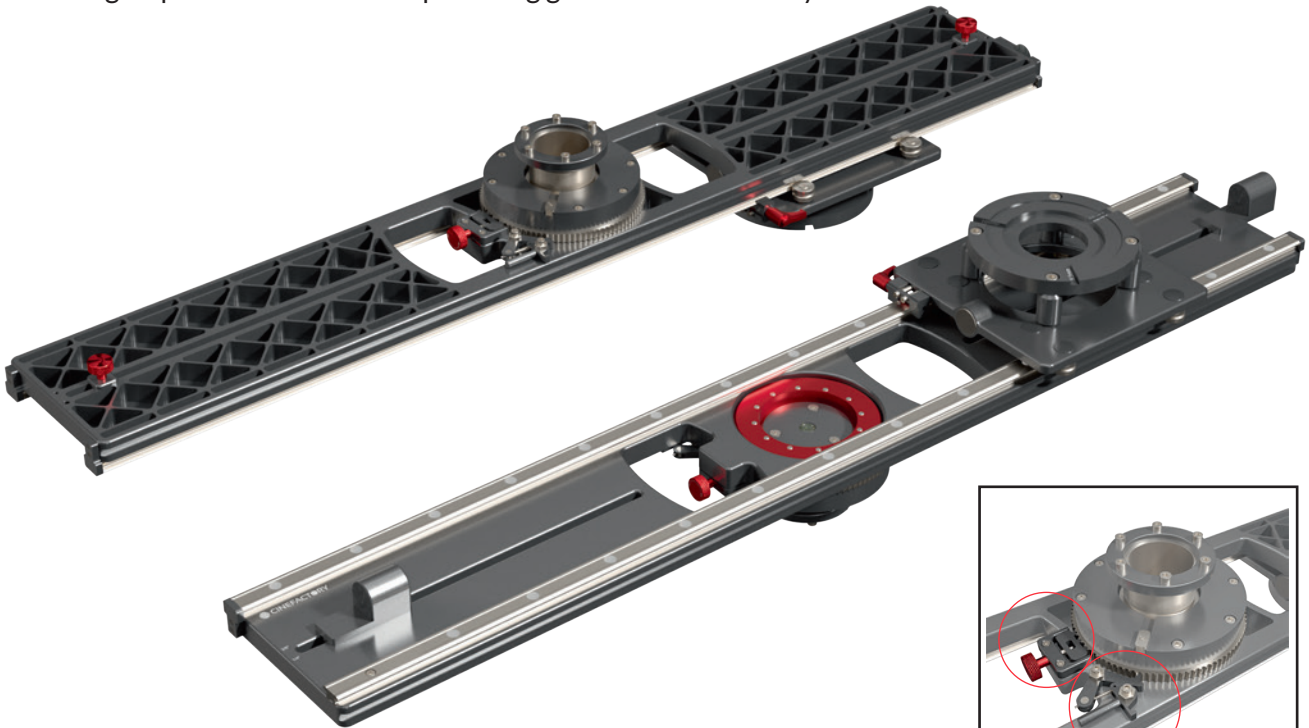
SLIDER HR

LIGHTWEIGHT FULL-LENGTH ALUMINIUM SLIDER

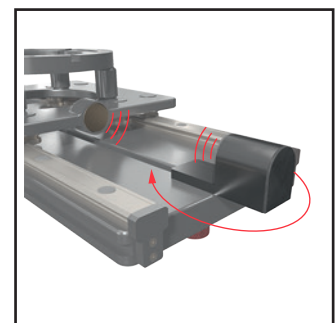
Quiet, free-flowing, high-accuracy aluminium slider manufactured for professionals.

All parts are in-house designed and machined in our CNC workshop.

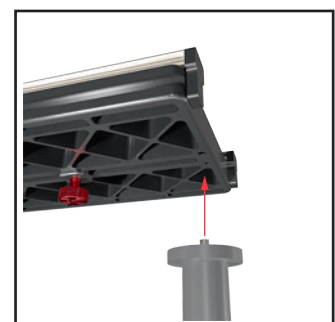
Together with the SLIDER VR, these two slider systems have been specifically developed to meet all your shooting requirements while still providing great value for money.



Dual locking system



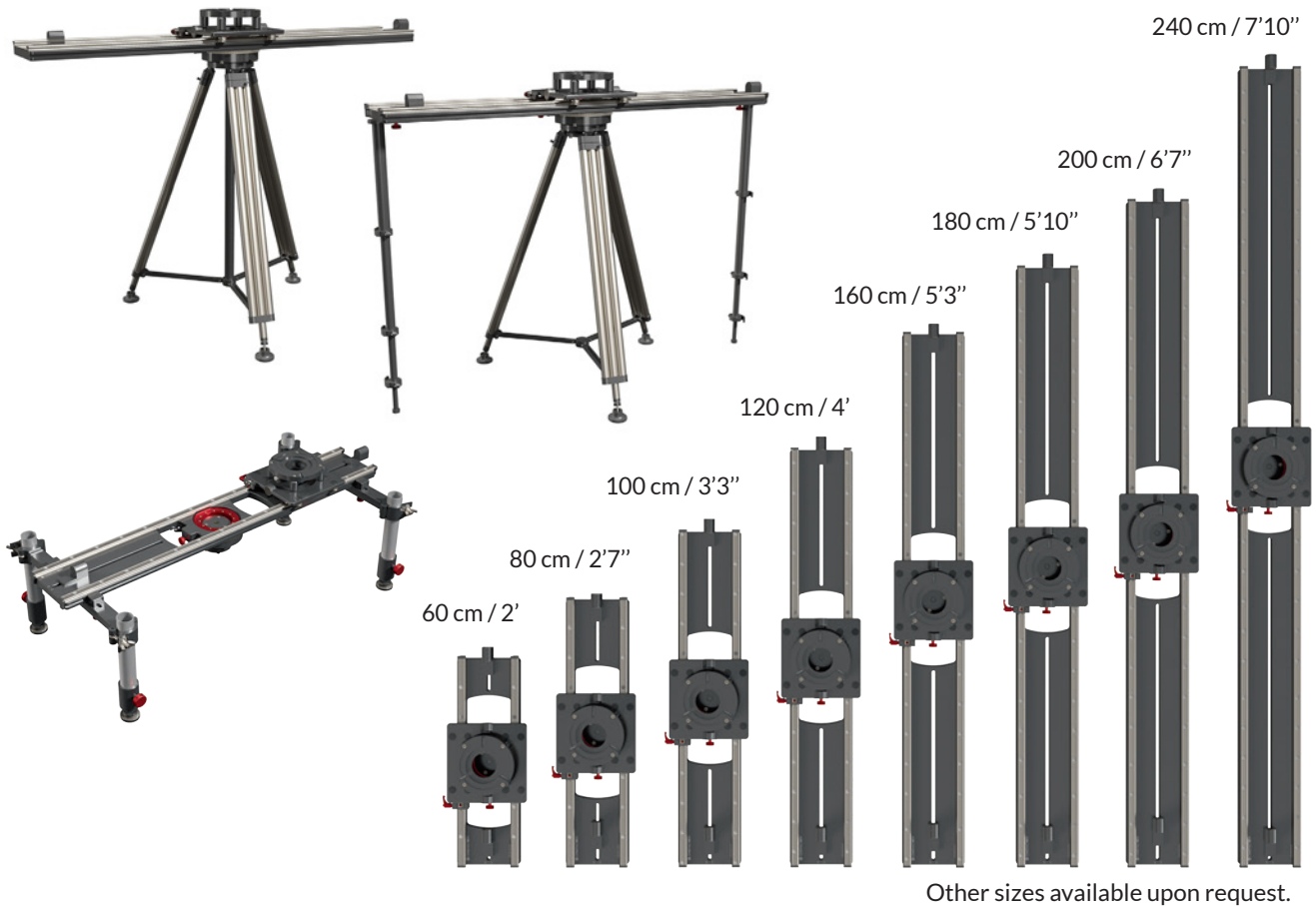
Reversible magnetic stops



UNC inserts

FEATURES

- Weight: 15 kg / 31 lbs (120 cm / 4').
- Supports loads up to 300 cm / 9'10".
- Standard Mitchell plate carriage mount.
Alternatives: 100 and 150 mm bowl or Euro-adaptor mount.
- Base mount: tailor-made support that allows a 360° turn linked to a dual locking system to avoid any mechanical backlash.
- Rails: HepcoMotion® stainless steel.
- Magnetic stops that allow for full sliding travel. Can be configured to either increase or decrease sliding travel.
- Monopods can be installed on both ends to increase stability for heavy loads (3/8"-16 or 1/4"-20 UNC inserts).
- Locking lever to easily stop the carriage.
- Built-in bull's eye level.



Other sizes available upon request.

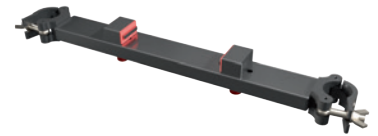
OPTIONS



Mitchell adapter
CINE-GRI-SLI-101



Bowls
Ø 100 mm / 4" | CINE-GRI-SLI-102
Ø 150 mm / 6" | CINE-GRI-SLI-103



HR tubes support
1x | CINE-GRI-SLH-101
2x | CINE-GRI-SLH-102



Aluminium tubes
Ø 50 mm / 2" - L 600 mm / 2'
CINE-GRI-SLI-108



Customized slider flight cases
S: up to 100 cm / 3'3" | CINE-GRI-SLI-105
M: up to 180 cm / 5'10" | CINE-GRI-SLI-106
L: up to 240 cm / 7'10" | CINE-GRI-SLI-107

